



19,80 m



17,80 m



9,00 m



225/300 kg



1,4x0,7x1,1



700°



aluminium



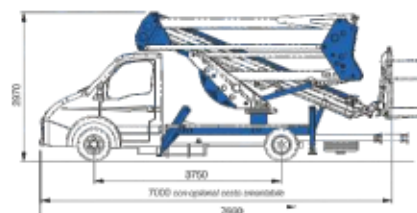
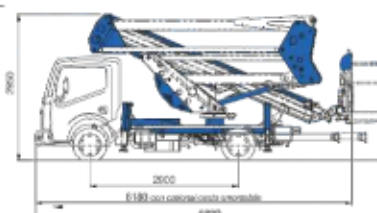
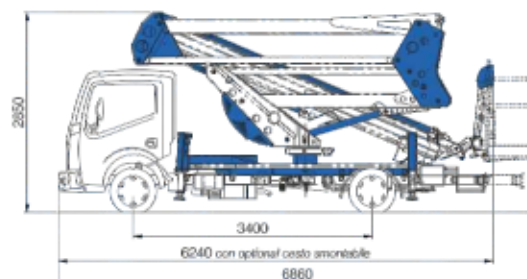
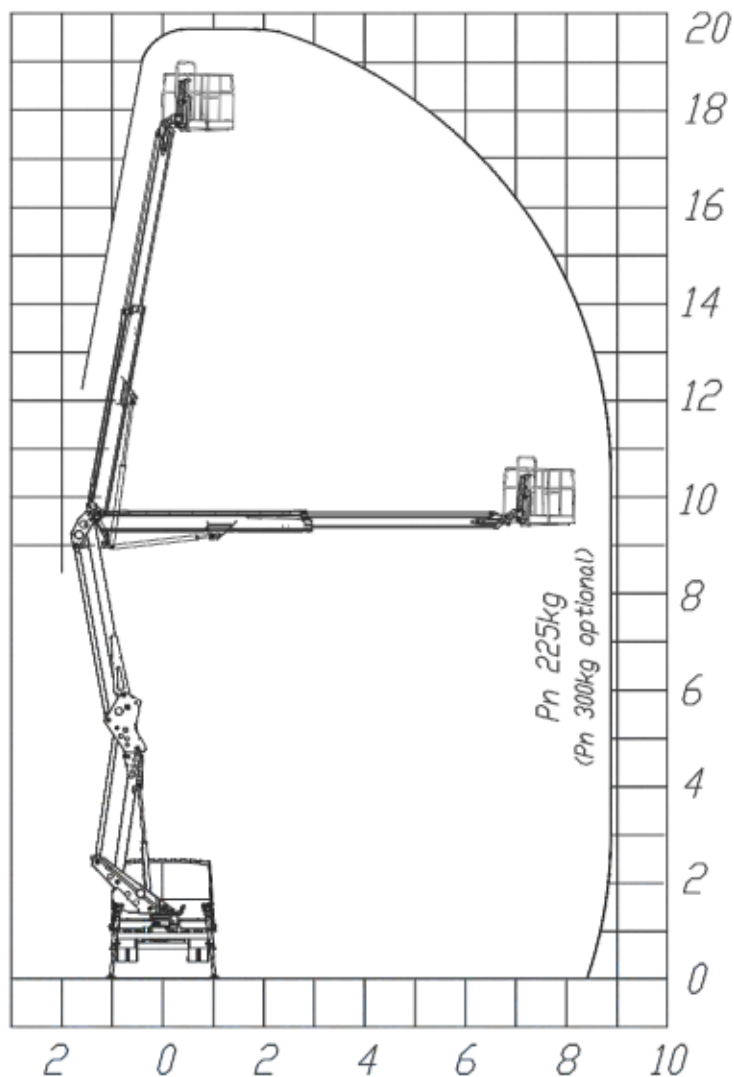
90°+90°



H+H



Electrical



forSte

# 200